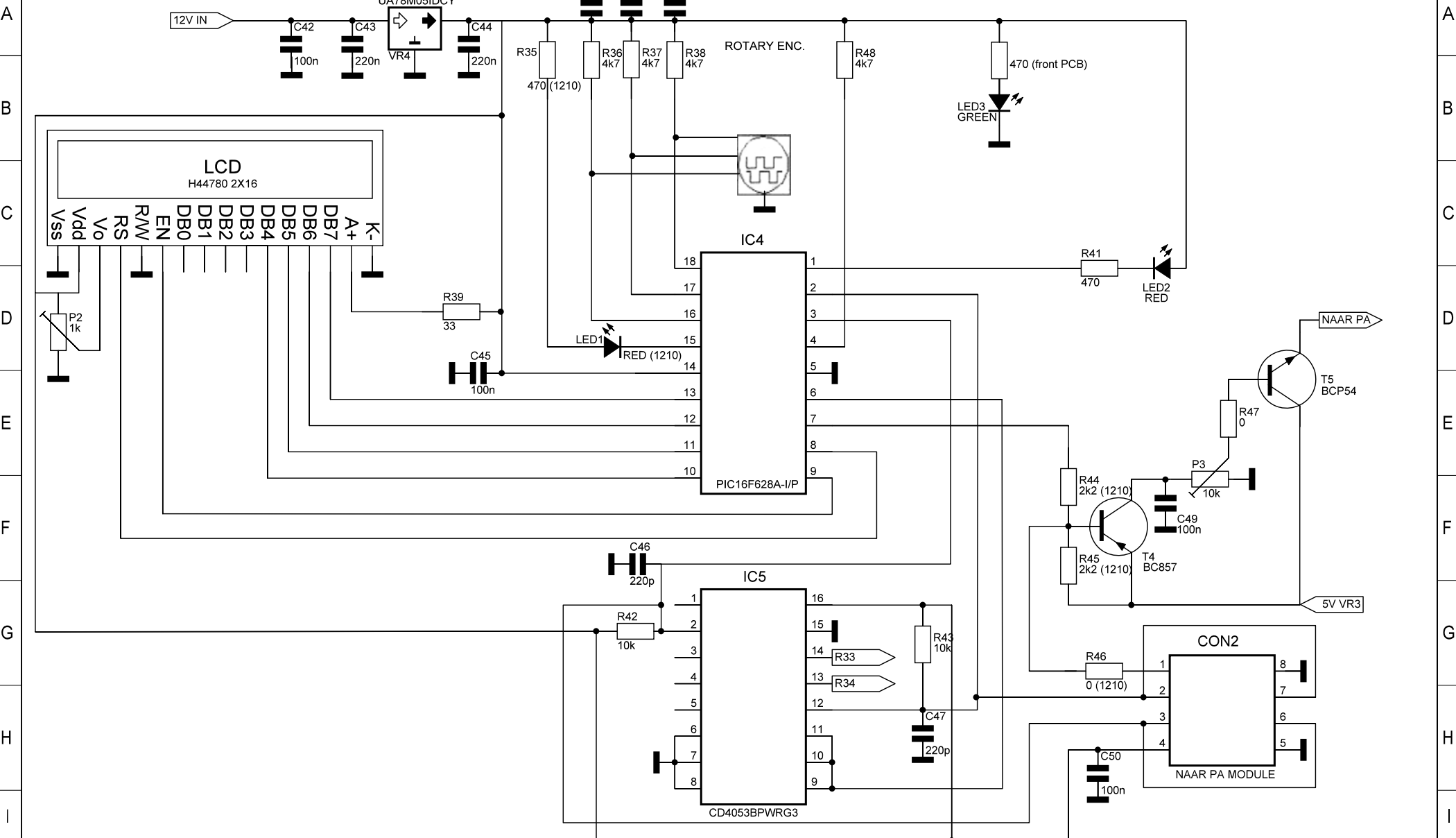


1 2 3 4 5 6 7 8 9 10 11 12 13 14



**Modifications**

Date	Name	Date	Name

**Date**

**Name**

**Description**

**B3Z Controller**

**PE5PVB**

**Page**

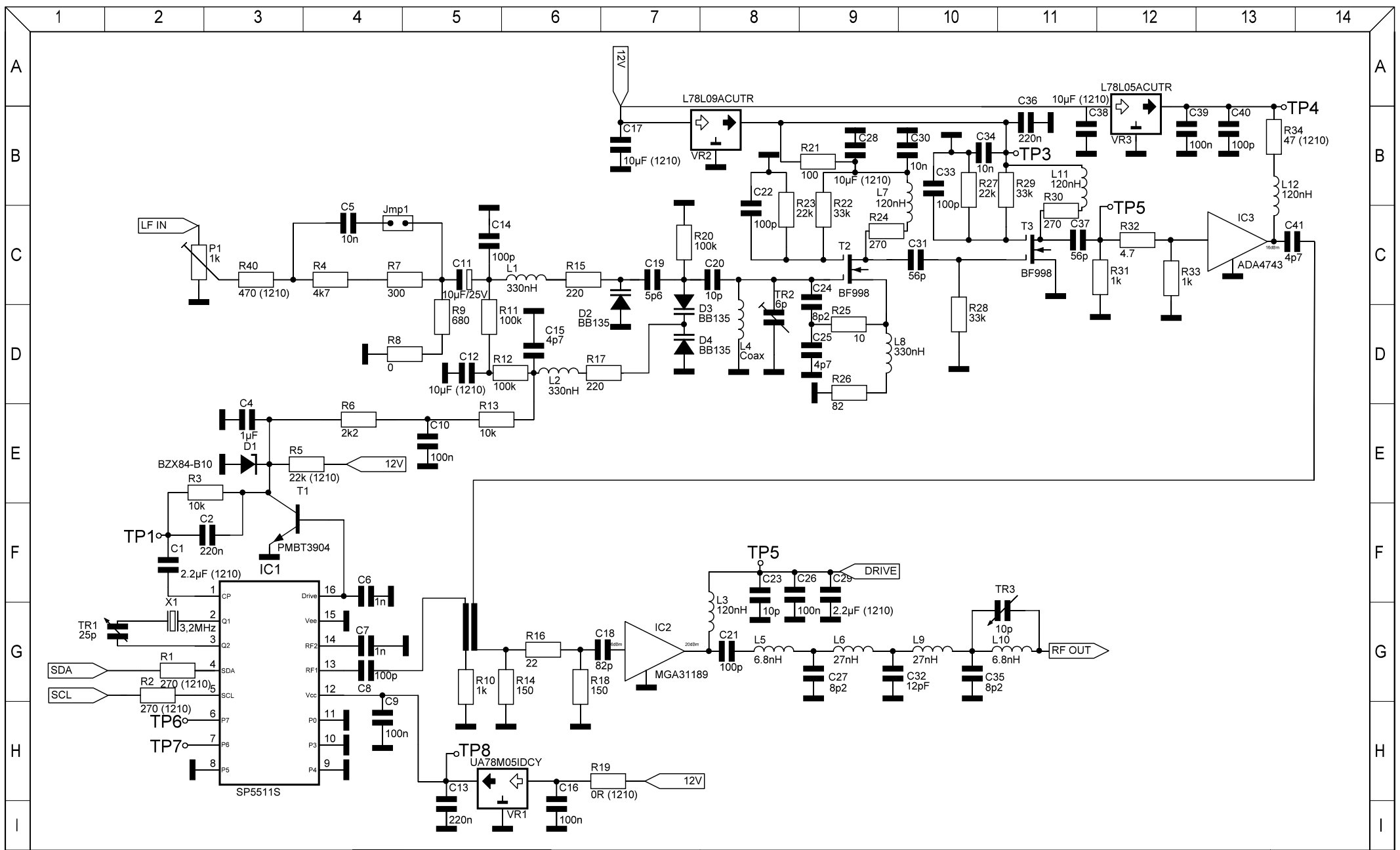
**1**

Schematic no.

**v1.0**

of

**1**



Modifications		Date	Name	Description	Page
Date	Name			B3Z 70cm WFM extier revisie C	
				Schematic no.	of